



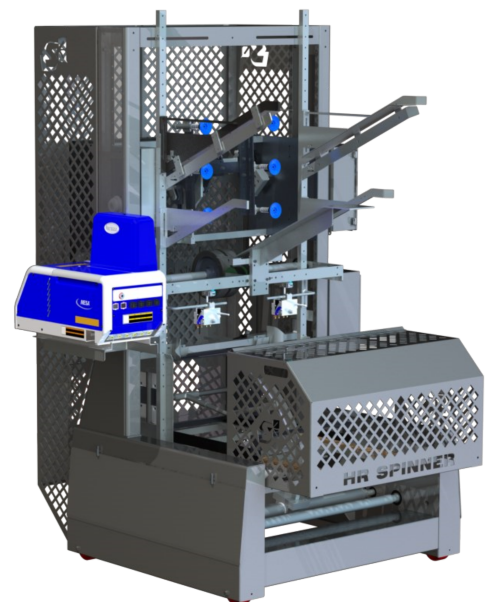
## T-4 Tray Former

### Standard Features

- Powder Coated Frame - Heavy Gauge welded Steel Construction
- Machined Aircraft Grade Aluminum Vacuum Scissor Assembly
- Venturi Vacuum Generator - No moving parts or electrical requirements
- Hardened Mechanical Drive Components
- Sealed No Maintenance Frame Bearings
- High Temp Solenoid Valves
- Nema 4X Electrical Enclosures
- Self Lubricating Vacuum Bearings
- High Capacity Hopper
- Portable Footprint– Standard machined wheels for hard surfaces
- 30+ Years of Experience

### Options

- Stack light Beacon
- Stainless Steel Construction
- Custom powder coat
- Box Lidder

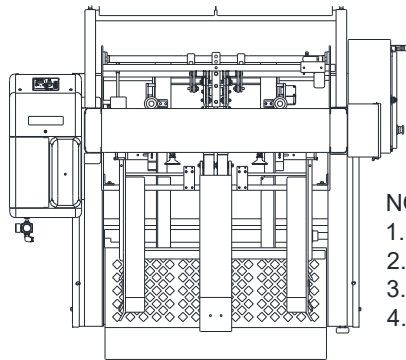


HR Spinner | 115 S 1st Avenue | Yakima, WA 98902 USA

Phone 800-876-4283 or (509) 453-9111 | Fax (509) 248-9712 | [www.hrspinner.com](http://www.hrspinner.com)

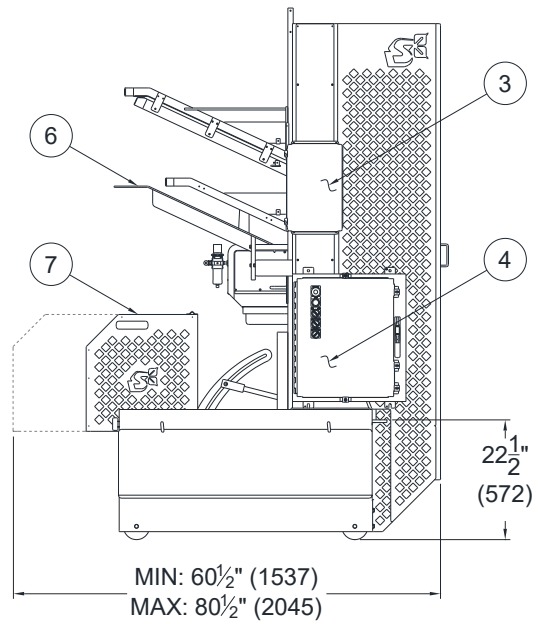
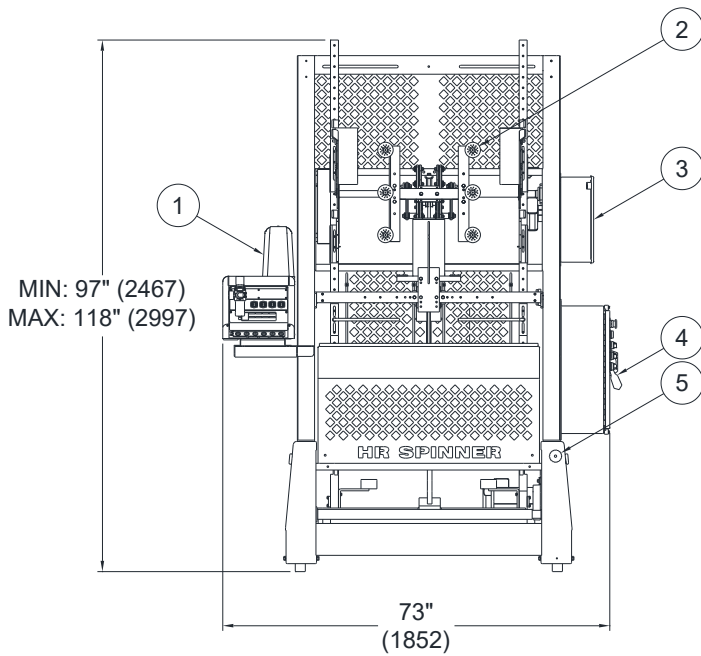


T4 Tray Former Specifications	
<b>Power Requirements</b>	240 3Ø / 60 HZ
<b>Air</b>	80psi
<b>Case Speed</b>	Up to 36/min
<b>Min. Case Size</b>	10.5"(267) x 12"(305) Call for Details
<b>Max Case Size</b>	38"(965) x 36"(914) Call for Details



**NOTES:**

- 1. HOT GLUE TANK
- 2. VACUUM PICK ASSEMBLY
- 3. GLUE CONTROL PANEL
- 4. MAIN CONTROL PANEL
- 5. SPEED CONTROL
- 6. INFEED HOPPER
- 7. MANDREL SAFETY GUARD



HR Spinner | 115 S 1st Avenue | Yakima, WA 98902 USA

Phone 800-876-4283 or (509) 453-9111 | Fax (509) 248-9712 | [www.hrspinner.com](http://www.hrspinner.com)